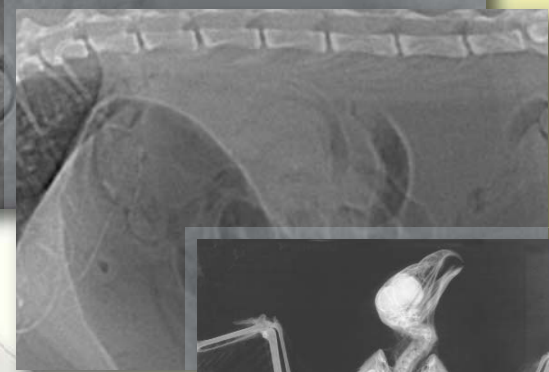


# *Universal*

Dedicated Veterinary  
Imaging Solutions



Digital, CR and analog  
imaging solutions  
for any size patient,  
any size budget.

*Universal*

*Keeping Promises  
for Over Eighty Years.*



# Universal

## The Pet Lover's Choice!



As a product family, Universal's veterinary x-ray systems require minimal floor space and are available in a variety of configurations . . . one of which is right for *your* practice or hospital.



## Universal DR<sup>ds™</sup>

### Digital Imaging at its best!



- ▶ **High resolution CCD sensor** with image preview in only 3 seconds.
- ▶ **High frequency generator with anatomical programming** 400 mA, 125 kVp, enhances digital image by reducing exposure time.
- ▶ **A robust welded construction table base** with stainless steel bearings for smooth movement.
- ▶ **CCD digital receptor** is coupled with the tubestand so that the beam is centered and can be disengaged for angled views.
- ▶ **Choice of stationary two-way or four-way float top table** further optimizes positioning of the patient in the imaging path.
- ▶ **Waterproof rubberized keyboard** eliminates difficult cleaning.



### *Tight on Space?*

*Generator and PC tower fit under the table giving the Universal DRs the smallest footprint in the industry!*



powered by  
**Simon<sup>dr</sup>**  
DIGITAL RADIOGRAPHERS

**Field Digital Upgrades to Existing Suites Are Also Possible!**

For more information, contact Universal at **800-800-6006** or your local Universal dealer.

# AVChoice™ 400 Single Phase

- ▶ **A powerful 400 mA, 125 kVp single phase generator** is fully integrated into the stationary top table to provide a cost-effective and time-saving solution for the veterinarian who seeks maximum capability in minimal space.
- ▶ **Not 2 – Not 3 – But 4 mA Stations!** Unlike those that imitate us, we don't make you choose between a low mA station for avian studies, exotics and small animals, or a high mA station for the larger animals. You get both — a 50 mA and a 400 mA — with 100 mA and 300 mA in between!
- ▶ **Tilt-out control panel** makes all generator controls quickly accessible and reduces operator errors and set-up time. Yes, it is fully water and fluid proof.
- ▶ **Universal's exclusive SurePrep** circuitry eliminates the hassles and frustrations associated with the traditional two-stage footswitch and manual actuation of the collimator light, while removing the guess work of knowing when an exposure can be initiated.

Also available with a two-way float top table, the **AVChoice™ Plus** and four-way float top table, the **AVChoice™ Plus 4**.

# AVChoice™ HF

The **AVChoice™ HF** series offers all the features of the **AVChoice™** single-phase series with the exception of SurePrep and the cassette box. This provides the veterinarian with a top-of-the-line radiology suite that is truly a cut above the rest.

The operator control panel of the **AVChoice™ HF** with manual or APR (anatomical programming) technique setup conveniently mounts on a swing-out arm off either side of the tubestand. The operator has the ability to bring the control panel forward or swing the control to either side for convenient technique setup at the head or foot of the table.

The **AVChoice™ HF** series provides the veterinarian with increased mR/mAs for a given kVp when compared to single phase generators. This provides the clinician the choice of either reducing exposure times or using the extra penetrating power to radiograph the extremely large patient.

Also available with a two-way float top table, the **AVChoice™ HF Plus** and four-way float top table, the **AVChoice™ HF Plus 4**.

The **AVChoice™ HF** is ideally suited for use with CR or future upgrade to CR or DR.

Conveniently located, easy-to-read digital display of mAs & kVp with SurePrep LED.

Built-in spare light bulb, SID measuring tape, 60 second light timer and swivel mount are standard with all AVChoice™ systems.

Urine trap feature surrounds the entire table top, virtually eliminating fluids from running off the sides.

A standard, built-in cassette box eliminates the time wasted and operator fatigue of walking back and forth.

From finches to St. Bernard's, our four standard mA stations allow you to image them all.

With SurePrep circuitry you simply tap the foot switch to begin a prep cycle and turn on the collimator light, position the animal, then depress the foot switch again to produce the x-ray.

## AVChoice™ HF Plus 4

4-way float top table with high-frequency generator.

**Improved Diagnostics and Safety for Less**

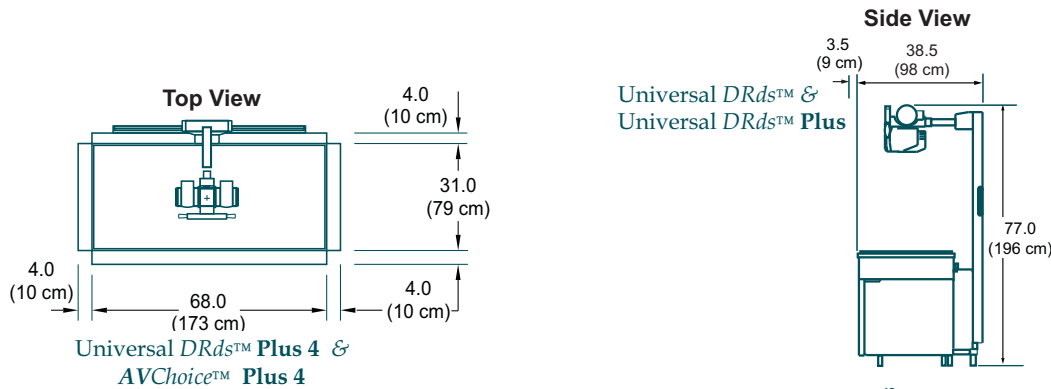
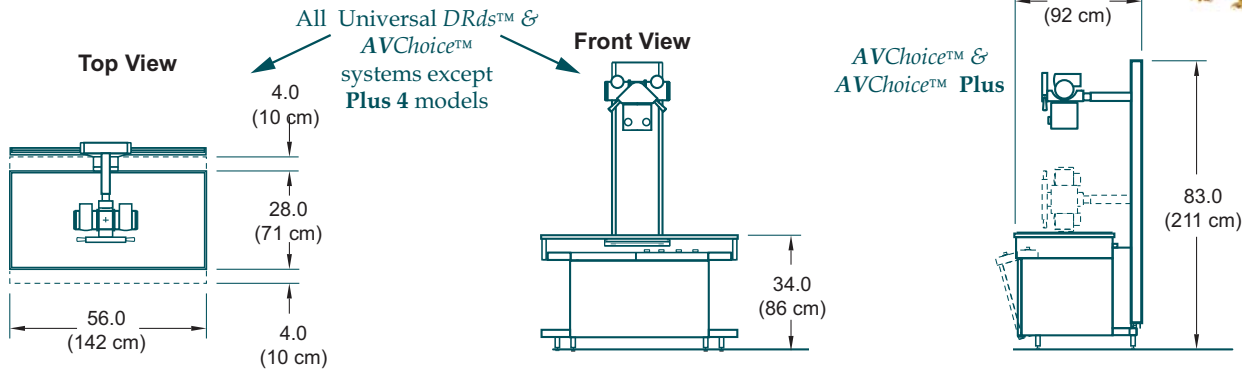


Unique tableside control mounted off tubestand offers flexible technique adjustment from front, head or foot of table.



*Keeping Promises for Over 80 Years.*

# Universal Dedicated Veterinary Imaging Solutions



	Analog (film based)	Digital – CCD or CR	400 mA Single Phase	500 mA High Frequency	Controls at Table	SurePrep Circuitry	Built-in Urine Trap	Electric Locks	Built-in Spare Collimator Bulb	Cassette Box	Stationary Top	2 Way Float Top	4 Way Float Top
AVChoice™ 400	✓	CR	✓	✓	✓	✓	✓	✓	✓	✓			
AVChoice™ 400 Plus	✓	CR	✓	✓	✓	✓	✓	✓	✓		✓		
AVChoice™ 400 Plus 4	✓	CR	✓	✓	✓	✓	✓	✓	✓			✓	
AVChoice™ HF	✓	CR		✓	✓	✓	✓	✓		✓			
AVChoice™ HF Plus	✓	CR		✓	✓	✓	✓	✓			✓		
AVChoice™ HF Plus 4	✓	CR		✓	✓	✓	✓	✓				✓	
AVChoice™ HF-AP	✓	CR		✓	✓	✓	✓	✓		✓			
AVChoice™ HF-AP Plus	✓	CR		✓	✓	✓	✓	✓			✓		
AVChoice™ HF-AP Plus 4	✓	CR		✓	✓	✓	✓	✓				✓	
Universal DR <sub>s</sub>		CCD		✓	✓	✓	✓	✓		✓			
Universal DR <sub>s</sub> Plus		CCD		✓	✓	✓	✓	✓			✓		
Universal DR <sub>s</sub> Plus 4		CCD		✓	✓	✓	✓	✓				✓	

\*Electro Magnetic Locks For Table Top Movement



As we strive for constant improvement, specifications are subject to change without notice.  
An ISO13485 & ISO9001 Certified Facility



11550 West King Street  
Franklin Park, IL 60131  
Toll Free: 800-800-6006  
Phone: 847-288-7000  
Fax: 847-288-7011  
www.delmedical.com